

SAM Calista II



USER MANUAL

Content

Content.....	1
Specifications.....	2
General Overview.....	3
Functions One.....	4
Functions Two.....	5
Safety statement.....	6
Cartridge installation.....	7
Spindle to center.....	8
VTA.....	9
Cartridge alignment.....	10
Tracking Force.....	11
Antiskating.....	12
Resonant Frequency.....	13
Disclaimer.....	14

Specifications

Brand: Small Audio Manufacture

Name: Calista II

Type: Unipivot

Center pivot: 240 mm

Overhang: 15 mm

Sequential error: +2/-1 degree

Regulation of antiskating using the counterweight

Possibility of height adjustment lever

Adjustable VTA

Effective weight: 12 grams

Category: mid heavy to heavy type of arms

Material: aluminium, inox, brass

Length: 10 inch

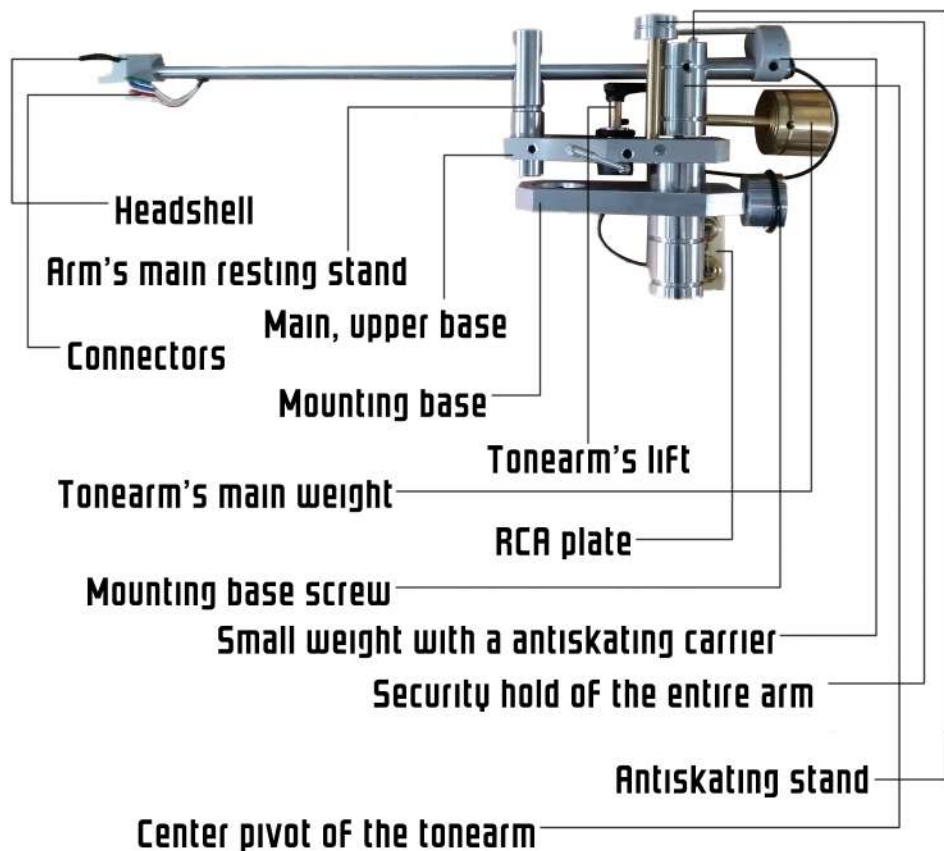
Mounting hole: 25 mm

Pre-wired

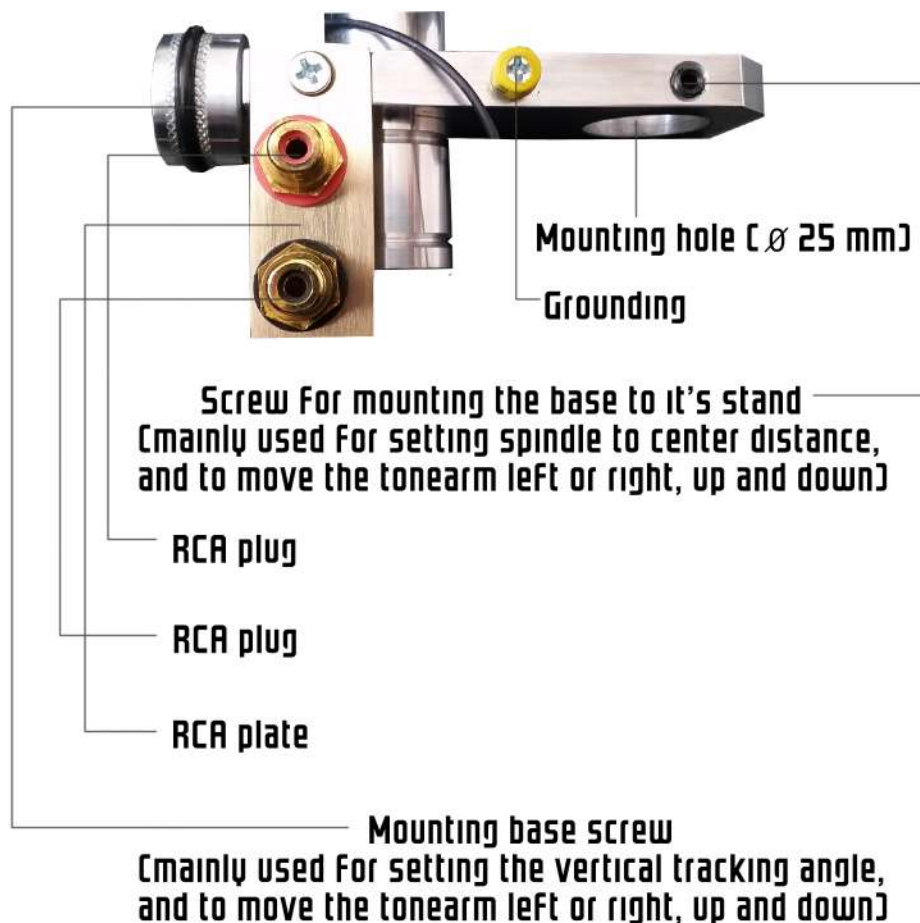
Wires: Oxygen Free copper

Suitable: For all kinds of turntables and cartridges

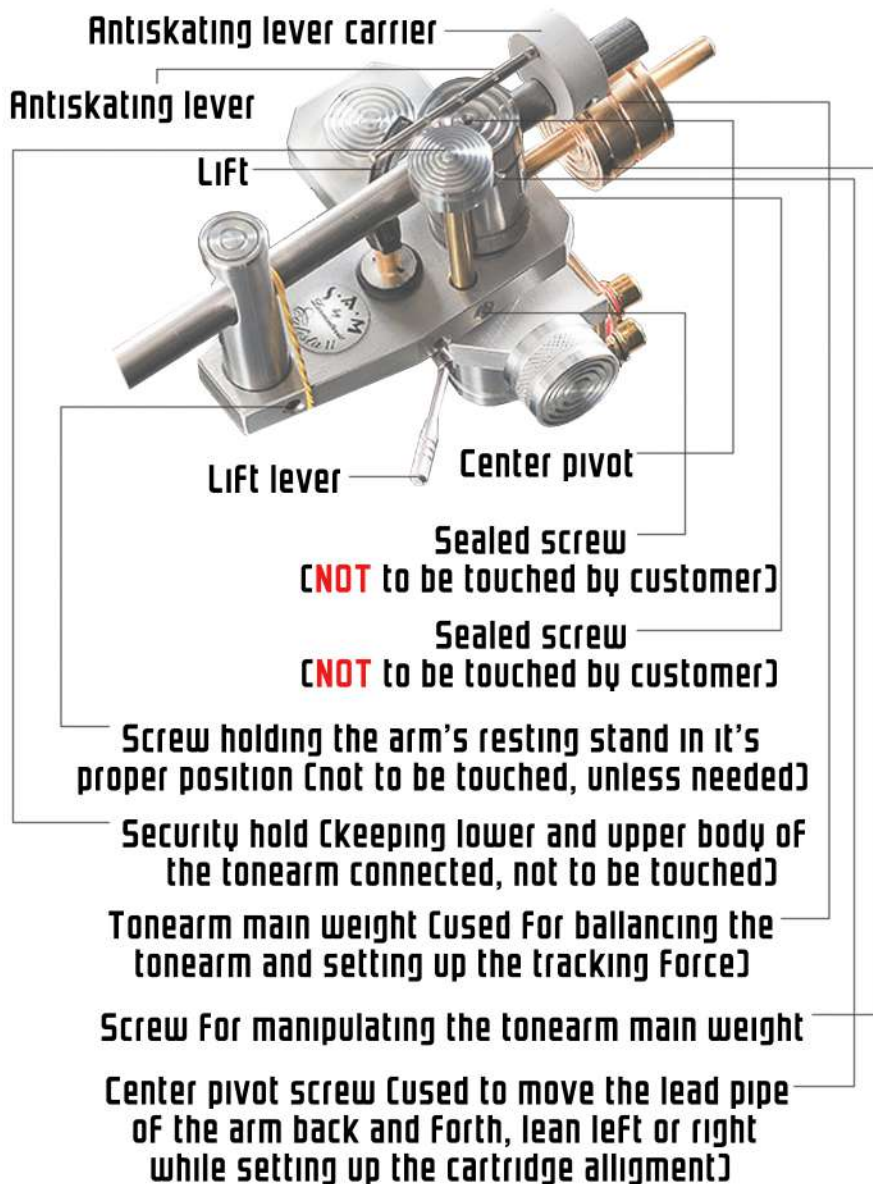
General Overview



Functions One



Functions Two



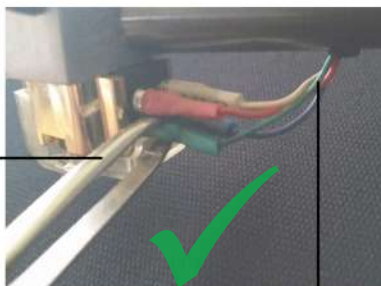
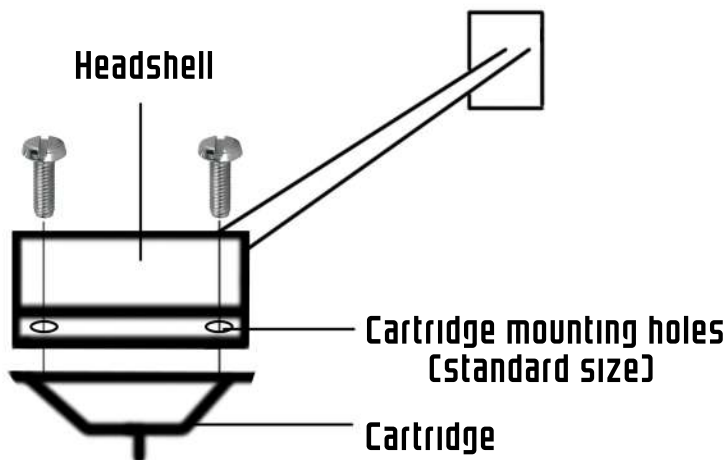
Safety statement

Please be extra careful with the operations on following pages, as any careless, reckless act or simply wrongdoings could cause a serious damage to your stylus. Besides reading carefully the entire manual and getting to know the tonearm, on operations where it's possible, S.A.M. recommends using stylus original cover mounted as much as possible.

S.A.M. does not have any responsibilities in any kind of damage (which may lead to further extra costs and expenses for a customer) that may occur during these operations.

Thank you for your understanding.

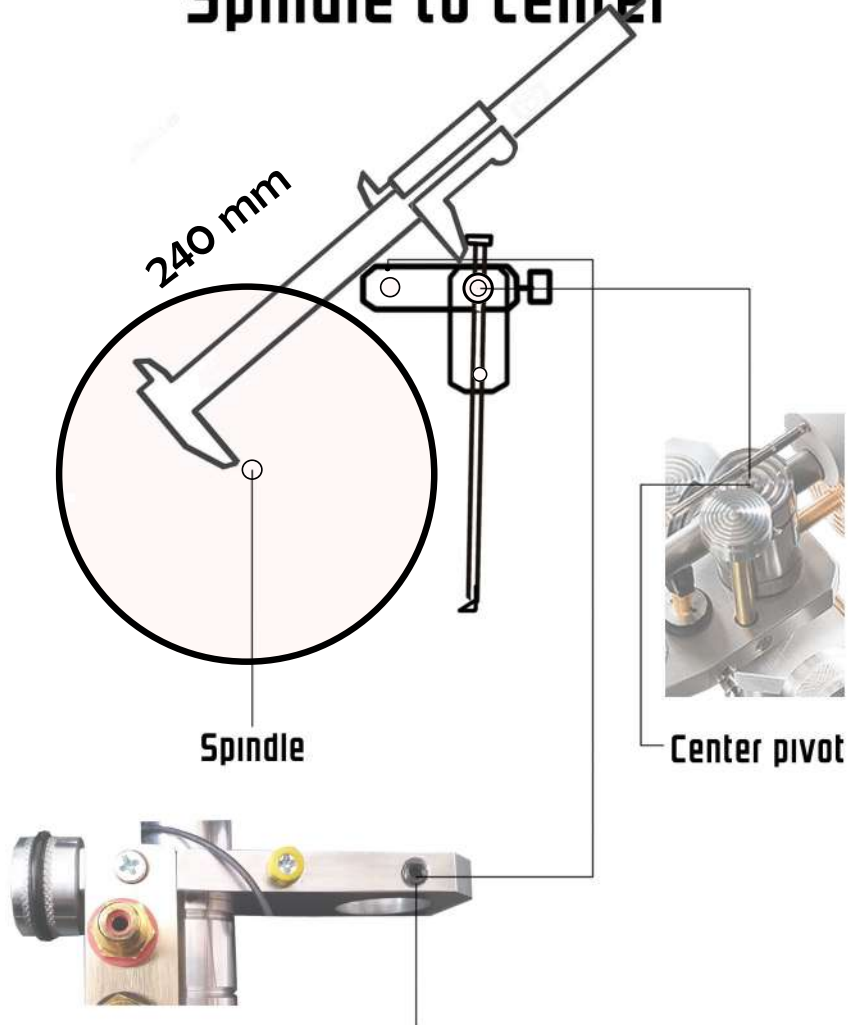
Cartridge installation



Connecting the tonearm's wires with the cartridge

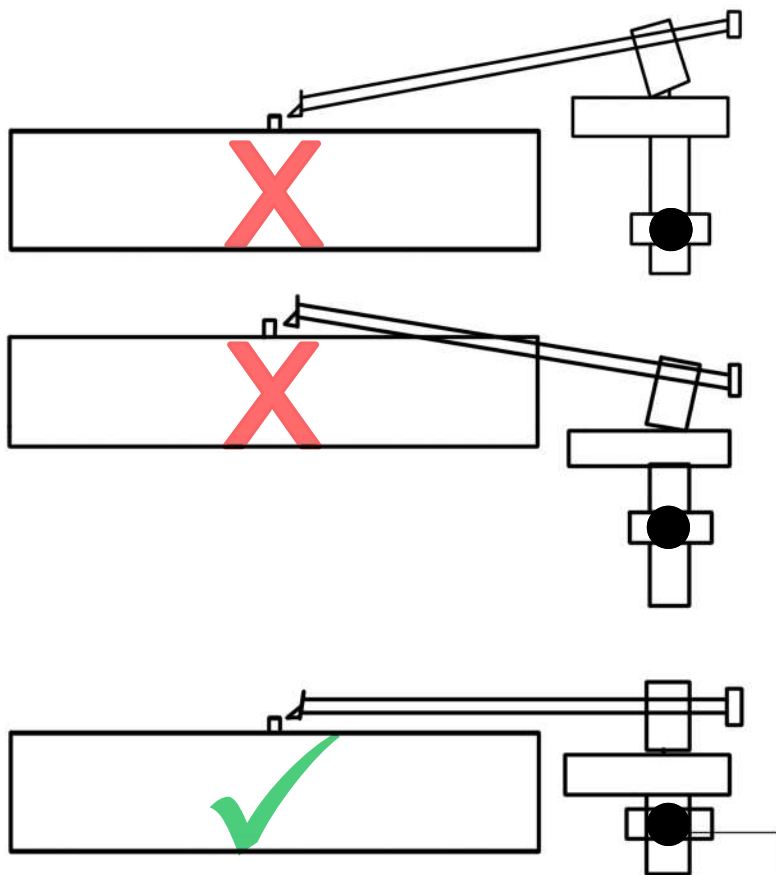
Tonearm wires: Right channel (red+/green -)
Left channel (white+/blue-)

Spindle to center



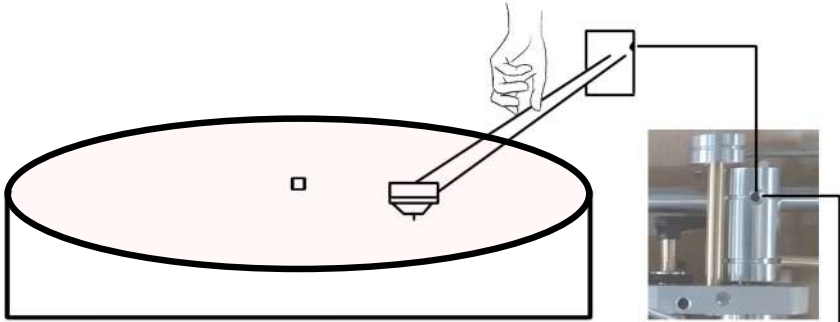
Screw for mounting the base to its stand: release the base by spinning the screw to the left (hex key provided). Once released, move the base left or right, further or closer to the platter, until it reaches correct spindle to center distance (must be 240 mm). After correct distance is set, tight the base strongly by spinning the screw to the right.

Vertical tracking angle

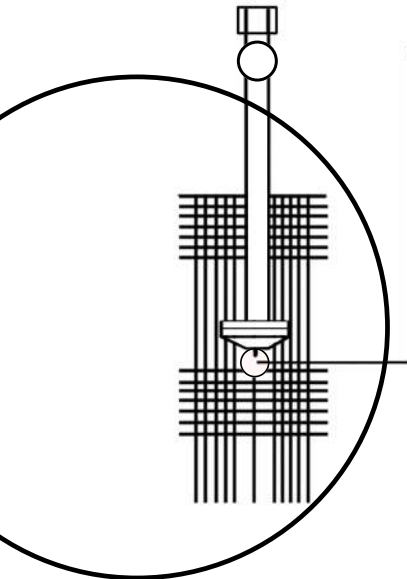


Mounting base screw (see page 4): _____
Release the base by spinning the screw to the left while holding the rest of the arm with your other hand. Once released, move arm to proper height to achieve correct VTA. After setting the VTA, tight up the the arm strongly by spinning the same screw to the right.

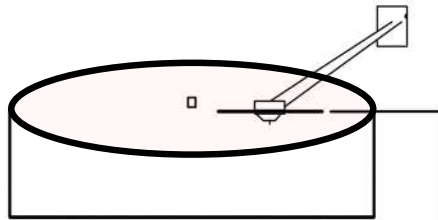
Cartridge alignment



Center pivot screw: Release the arm (hex key provided) by spinning the screw to the left and use your hand to lean the main pipe left or right, move back and forth until it reaches a proper cartridge position. Once when a right position is set, spin the screw to the right to lock the main pipe. **Use the screw gently.**



Tip of the stylus must be placed on the small circle on the protractor

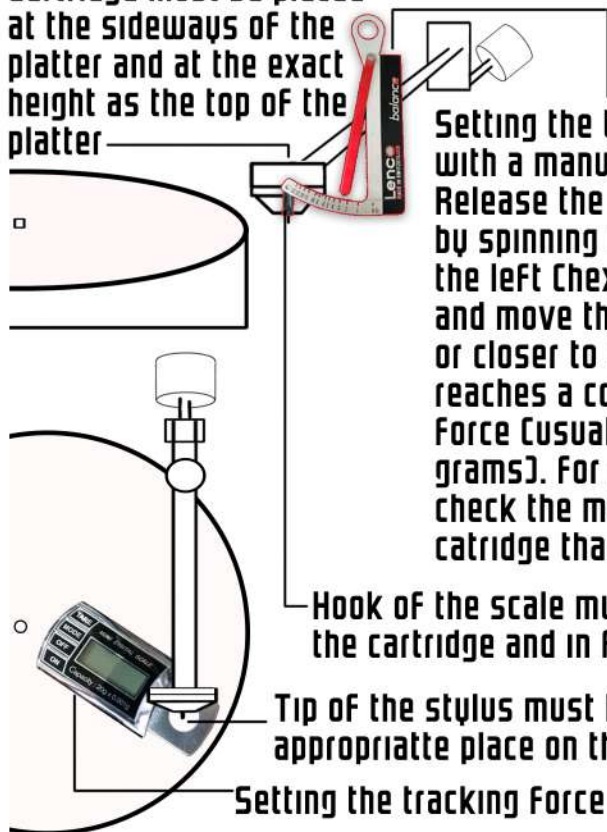


Cartridge must be in straight horizontal line. Use lighter objects (such as pen) if one does not own more advanced protractors, to visually set the line.

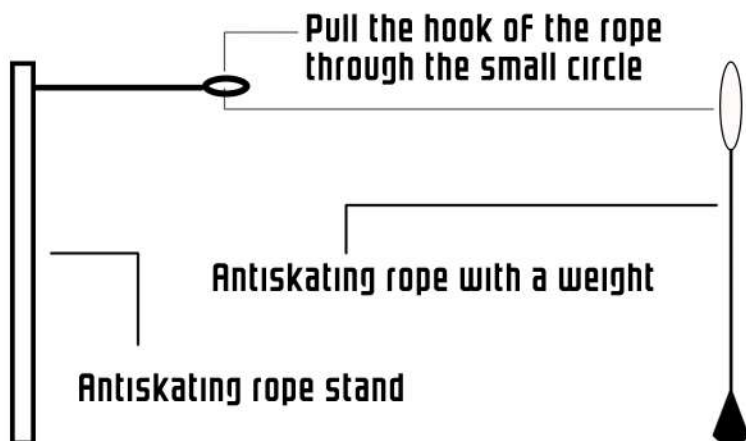
Tracking Force



Cartridge must be placed at the sideways of the platter and at the exact height as the top of the platter



Antiskating



Antiskating carrier
(if needed, it can be leaned left or right and moved back and forth)

Mounting hole for antiskating rope stand

Screw to lock and unlock the antiskating rope stand

Slots for antiskating rope
(the rope can be hooked around any slot, depending on the weight of the cartridge that is mounted)



Resonant Frequency

$$f_{res} = \frac{1000}{2 \times \pi \sqrt{C \times M}}$$

$$\pi = 3,14$$

C = compliance

M = tonearm mass

Formula For calculating the resonant Frequency

Disclaimer

In case of any modification or altering of the S.A.M. products (such as re-painting the platter to another color, changing of the electronics, dismantle of the tonearm or any other part or any other similar operation), S.A.M. **does not** have any responsibility in possible malfunction or damage that may occur as a result of such actions. S.A.M. also does not share, cover or refund the costs of possible repairs or setup installation by outside parties (such as various tool makers, audiophile experts etc.) unless agreed upon. All the questions, issues or problems must be addressed first and foremost directly through Small Audio Manufacture at www.sam-audio.eu or smallaudiomanufacture@gmail.com or call us at 00385958513607.

S.A.M. also hold rights for possible minor changes (such as colors, dimensions or shapes) in final production, that may differ from the actual product being advertised.

All Small Audio Manufacture products have 3 years warranty on electronics and 5 years warranty on all other parts.

Thank you for your understanding.
Yours truly,
Small Audio Manufacture